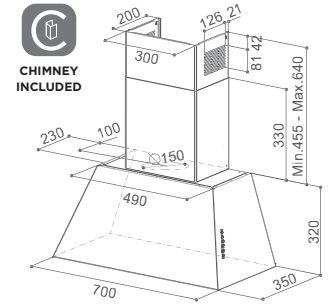
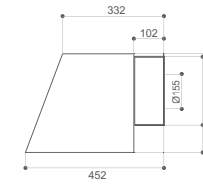


Old brass - OB



Rear air outlet kit (optional)



  
CHIMNEY  
INCLUDED

further specification in the accessory session on page 347

WALL

Old copper - OC



Cast iron - CI



Dark grey matt - DG MATT



Old metal - OM



Country grey matt - CG MATT



# CHLOÈ

**CHLOÈ EV8+ OM A70** cod. 110.0456.129  
**CHLOÈ EV8+ OC A70** cod. 110.0456.174  
**CHLOÈ EV8+ CI A70** cod. 110.0456.175

**CHLOÈ EV8+ OB A70** cod. 110.0456.177  
**CHLOÈ EV8+ DG MATT A70** cod. 110.0458.989  
**CHLOÈ EV8+ CG MATT A70** cod. 110.0459.033



(optional)

(optional)

FEATURES	PERFORMANCE	ACCESSORIES	
<b>Finish</b> • Old metal • Old copper • Cast iron • Old brass • Dark grey matt • Country grey matt	<b>Speed</b> 1 2 3 INT <b>Air capacity IEC point</b> 270 410 590 730 <b>Pressure</b> 460 550 590 600 <b>Input</b> 150 200 240 250 <b>Noise level</b> 49 56 64 68	<b>Cod. 112.0157.240</b> F8 Charcoal filter	<b>Cod. 112.0490.250</b> Rear air outlet kit OC
<b>Controls</b> Electronic Led		<b>Cod. 112.0615.733</b> Remote control	<b>Cod. 112.0490.261</b> Rear air outlet kit CI
<b>Lighting</b> LED light		<b>Cod. 112.0327.007</b> ENERGY Remote blower kit	<b>Cod. 112.0490.262</b> Rear air outlet kit OB
<b>Grease filter</b> Cassettes dishwasher safe		<b>Cod. 112.0158.127</b> FHP8 Charcoal filter High Performance	<b>Cod. 112.0490.263</b> Rear air outlet kit DG MATT
<b>Ø of air outlet</b> 150 /120 mm		<b>Cod. 112.0185.278</b> FLL8 Charcoal filter Long Lasting	<b>Cod. 112.0490.264</b> Rear air outlet kit CG MATT
<b>Width</b> 700 mm		<b>Cod. 112.0490.249</b> Rear air outlet kit OM	
<b>Energy class</b> A			