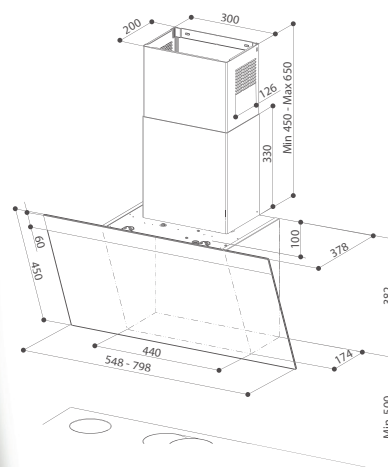


Black glass



To be installed at a minimum distance from the hob of 50 cm.

DAISY PLUS

DAISY + BK A55 cod. 330.0612.373

DAISY + BK A80 cod. 330.0612.374

DAISY + WH A55 cod. 330.0612.375

DAISY + WH A80 cod. 330.0612.371



(optional)



FEATURES	PERFORMANCE	ACCESSORIES
Finish • Black glass • White glass	Speed 1 2 3 INT <hr/> Air capacity IEC point 300 430 620 770 <hr/> Pressure 460 550 590 600 <hr/> Input 150 200 240 250 <hr/> Noise level 48 56 63 68	Cod. 112.0327.007 ENERGY Remote blower kit <hr/> Cod. 112.0157.240 F8 Charcoal filter <hr/> Cod. 112.0327.632 Recycling version kit X <hr/> Cod. 112.0252.439 Recycling version kit WH <hr/> Cod. 112.0252.442 Recycling version kit BK <hr/> Cod. 112.0158.127 FHP8 Charcoal filter High Performance <hr/> Cod. 112.0185.278 FLL8 Charcoal filter Long Lasting
Controls Touch control		
Lighting 2 LED lights		
Grease filter Cassettes dishwasher safe		
Ø of air outlet 150 / 120 mm		
Width 550 / 800 mm		
Energy class A+		

White glass

