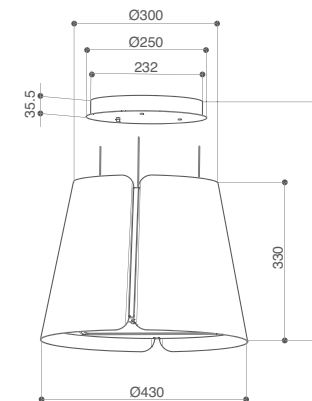


Black matt



FRESH AND SIMPLE LINES

Beat is a new model of suspended hood identified by fresh and simple lines with two panels arranged side-by-side.



Stainless steel / Black matt



Titanium matt



Black Gloss



White matt



Dark grey matt



Dusty blue matt



BEAT

- BEAT BK MATT F45 cod. 345.0612.337
- BEAT WH MATT F45 cod. 345.0612.338
- BEAT X/BK MATT F45 cod. 345.0655.177
- BEAT TITANIUM MATT F45 cod. 345.0655.178

- BEAT BK GLOSS F45 cod. 345.0657.025
- BEAT DG MATT F45 cod. 345.0612.339
- BEAT DB MATT F45 cod. 345.0612.340



FEATURES	PERFORMANCE	ACCESSORIES
Finish • White matt • Black matt • Dark grey matt • Dusty blue matt • Stainless steel / Black matt • Titanium matt • Black Gloss	Speed 1 2 3 INT Air capacity IEC point 270 410 580 740 Pressure 450 540 570 580 Input 150 200 240 250 Noise level 53 59 66 70	Cod. 112.0157.240 F8 Charcoal filter Cod. 112.0158.127 FHP8 Charcoal filter High Performance Cod. 112.0185.278 FLL8 Charcoal filter Long Lasting
Controls Electronic		
Lighting 2 LED lights		
Grease filter Cassettes dishwasher safe		
Ø of air outlet 150 mm		
Width 430 mm		
Energy class A		